


双面印刷 Z字形折叠 112*112mm



安装说明

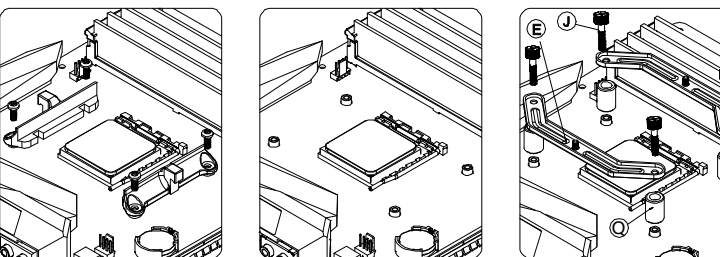
Assassin King 120
系列

www.thermalright.com

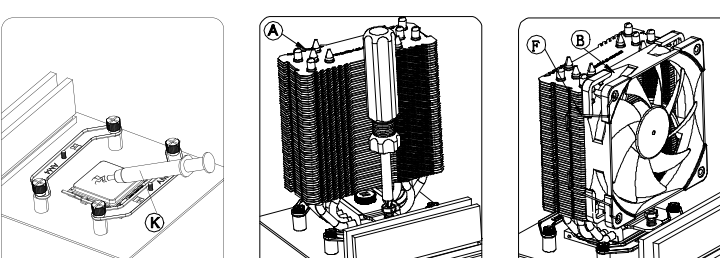
配件清单

A 散热器x1	B 风扇x1 (plus x2)	C LGA115X/1700背板x1
D INTEL支架x2	E AMD支架x2	F 风扇扣x4
G 115X胶柱 X4	H LGA20XX螺柱 X4	I 螺帽 X4
J AM4螺丝 X4	K 导热膏 X1	L 硅胶脚垫 x4
M 螺柱 x4	N 塑胶垫 x4	O 1700胶柱 x4
P 转接线x1 (PLUS专用)	Q AM4胶柱 X4	

AMD AM4

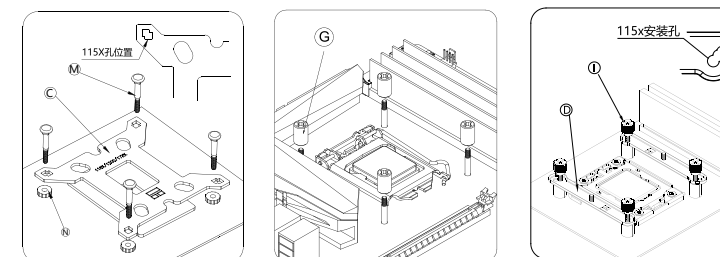


移除AMD原装塑胶支架,保留背板.使用AM4螺丝将AMD支架固定到背板

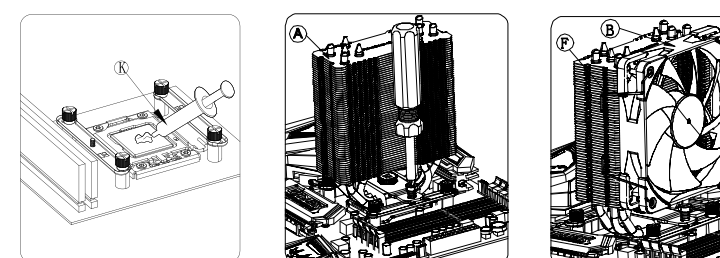


涂好导热膏,然后先锁好散热器,再固定风扇

INTEL LGA115X/1200

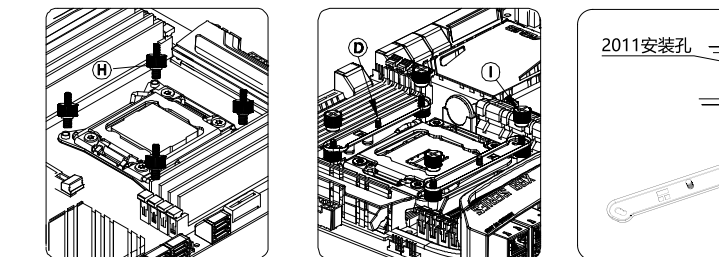


将螺丝对应LGA115X孔位穿过背板上塑胶垫放置在主板背面,然后从正面放置胶柱.支架再用螺帽固定住INTEL支架.

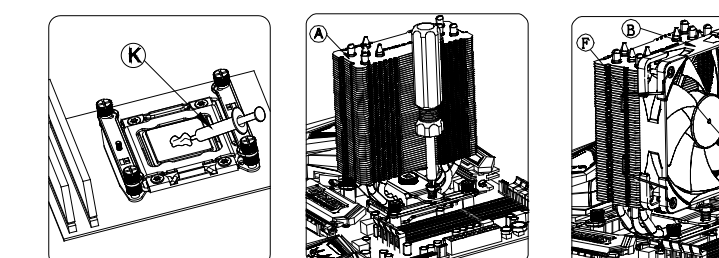


涂好导热膏,然后先锁好散热器,再固定风扇

INTEL LGA20XX

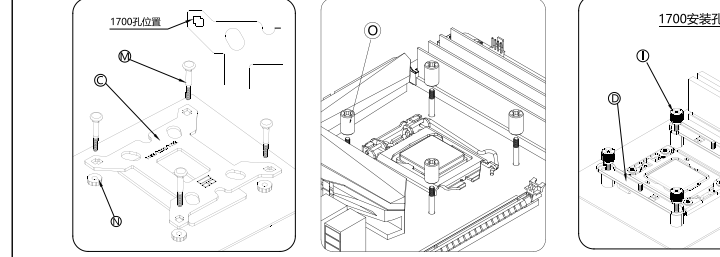


将LGA20XX螺柱拧到主板,然后放置支架,再用螺帽固定住INTEL支架

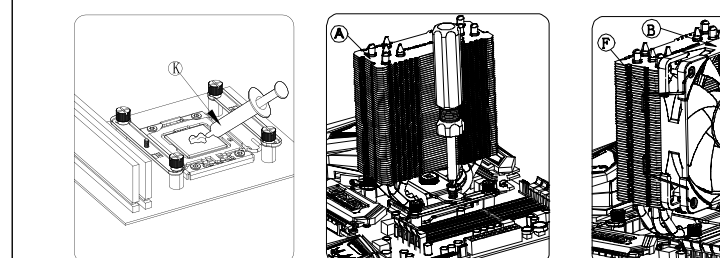


涂好导热膏,然后先锁好散热器,再固定风扇

INTEL LGA1700

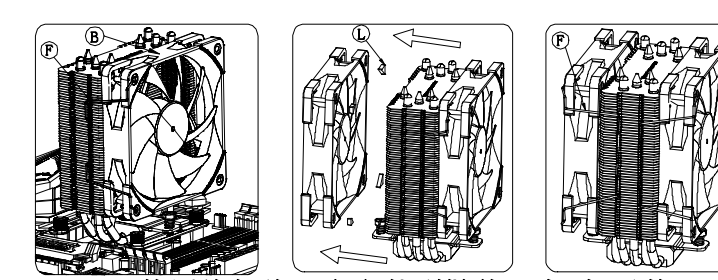


将螺丝对应LGA1700孔位穿过背板上塑胶垫放置在主板背面,然后从正面放置胶柱.支架再用螺帽固定住INTEL支架.




涂好导热膏,然后先锁好散热器,再固定风扇

风扇接线

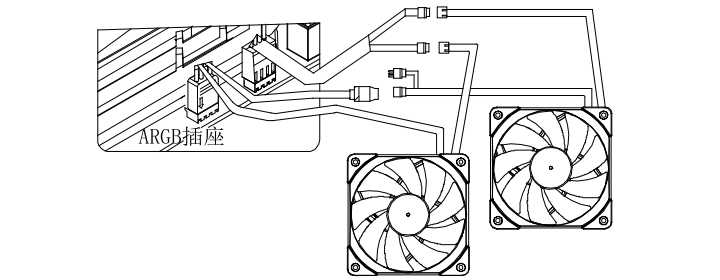


使用线扣将风扇安装到散热器上,如果使用双风扇时,降噪脚垫贴在散热器出风面


风扇接线



将风扇 4针PWM接头插入主板CPU FAN 插座,如果使用双风扇,请使用Y型转接线。



如果风扇有ARGB灯效,请将ARGB 3针 (5V) 插入主板对应 ARGB灯效插座或者控制器,多风扇之间可串联同步。



INSTALLATION GUIDE

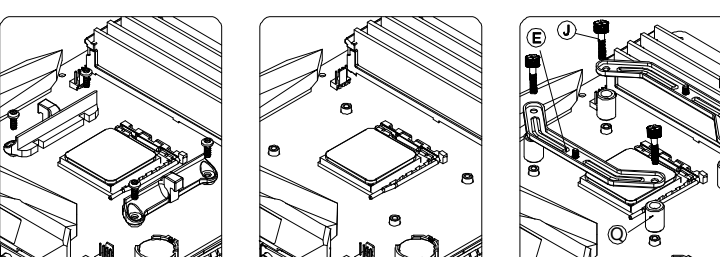
Assassin King 120
Series

www.thermalright.com

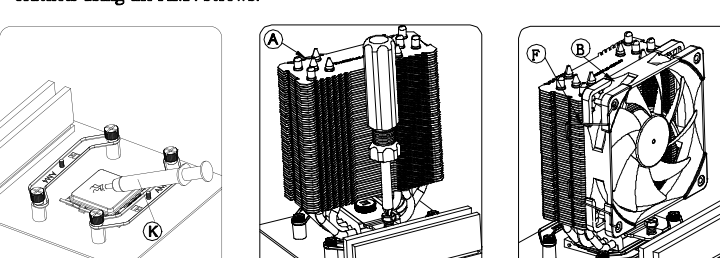
parts list

A Heatsink x1	B Fan x1 (plus x2)	C LGA115X/1700 Backplate x1
D INTEL Bracket x2	E AMD Bracket x2	F FAN Clip x4
G 115X/1200 stsndoff x4	H LGA20XX Screw x4	I Tightening Nut x4
J AM4 Screw x4	K Thermal Grease x1	L Rubber Pad x4
M Screw x4	N Plastic Washer X4	O 1700 Standoff x4
P Wire x1 (use for plus)	Q AM4 stsndoff x4	

AMD AM4

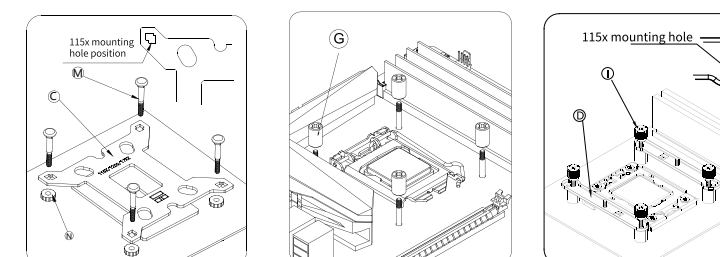


Remove plastic retention bracket, but keep the backplate, secure the brackets using the AM4 screws.

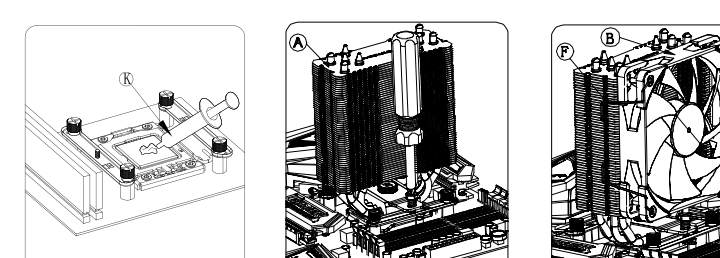


Apply a thin layer of thermal grease, and then secure heatsink.

INTEL LGA115X/1200

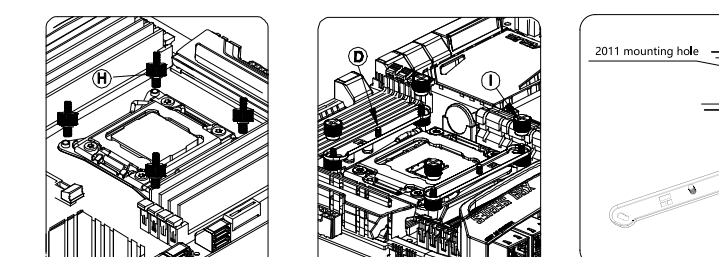


Install the INTEL back plate from the back of motherboard, then place plastic standoffs from front side of motherboard, install INTEL metal brackets with screws

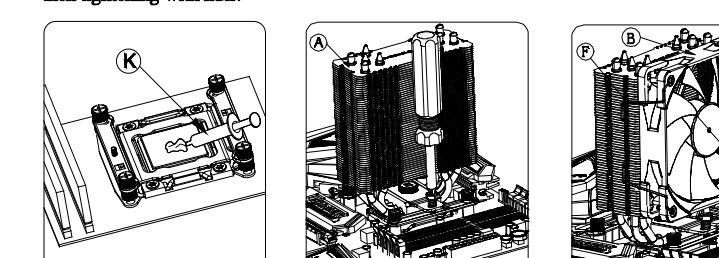


Apply a thin layer of thermal grease, and then secure heatsink.

INTEL LGA20XX

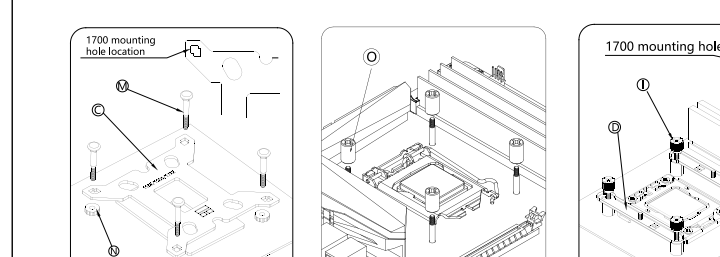


Thread in the LGA20XX screws; put on the brackets and then tightening with nuts.

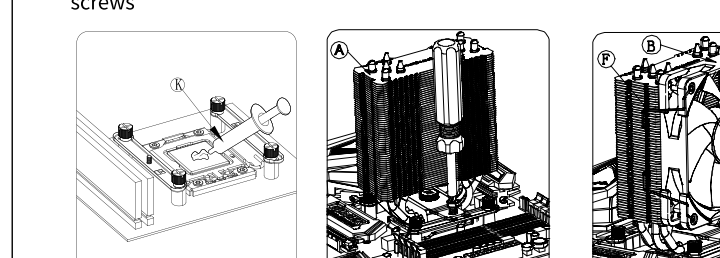


Apply a thin layer of thermal grease, and then secure heatsink.

INTEL LGA1700

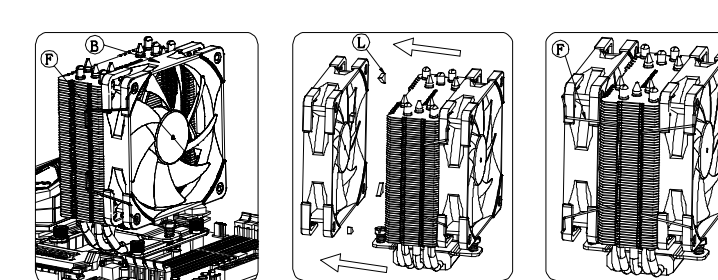


Install the LGA1700 back plate from the back of motherboard, then place plastic standoffs from front side of motherboard, install LGA1700 metal brackets with screws



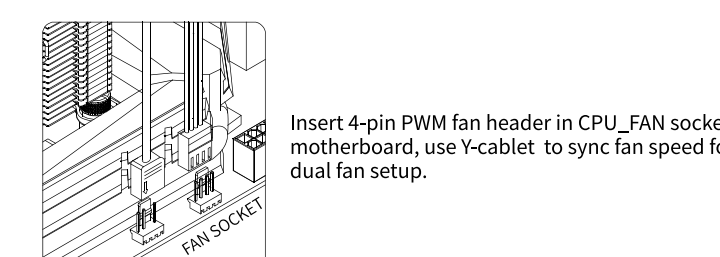
Apply a thin layer of thermal grease, and then secure heatsink.

Fan wiring

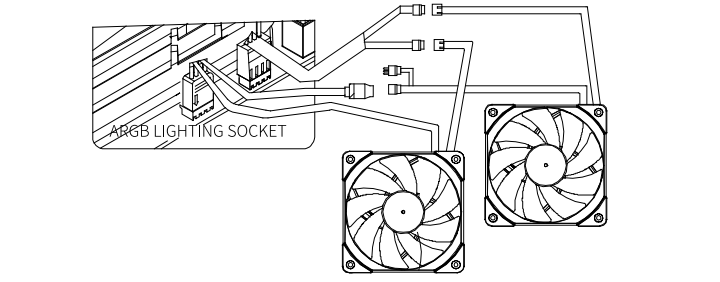


Mount the fan(s) with the fan clips, Using dual fan, the rubber pad is attached to the radiator air outlet

Fan Wiring



Insert 4-pin PWM fan header in CPU_FAN socket on motherboard, use Y-cable to sync fan speed for dual fan setup.



For Fans with ARGB lighting, To control the ARGB lighting, connect ARGB lighting header (3-pin +5V) to motherboard ARGB lighting socket or ARGB lighting controller, lighting effects can be sync by connecting fan lighting headers with each other