

安装说明

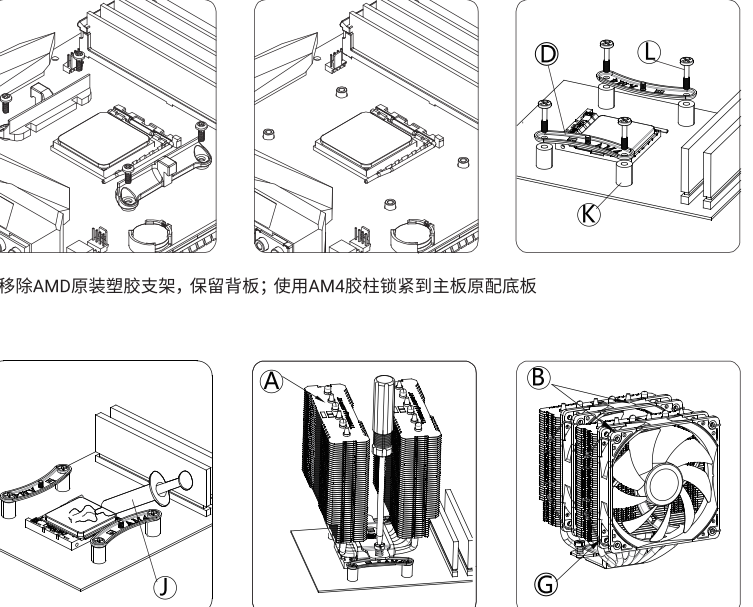
Peerless Assassin 120 SE
系列

www.thermalright.com

配件清单

A 散热器 *1	B 风扇 *2	C Y型转接线	D AMD支架 *2
E INTEL支架 *2	F LGA115X背板 *1	G 风扇扣 *4	H 黑色胶柱 *4 115x 专用
I INTEL螺柱 *4	J 导热膏 *1	K 红色胶柱 *4 AM4专用	L AM4螺柱 *4
M LGA17XX背板x1	N 蓝色胶柱x4 17xx专用		

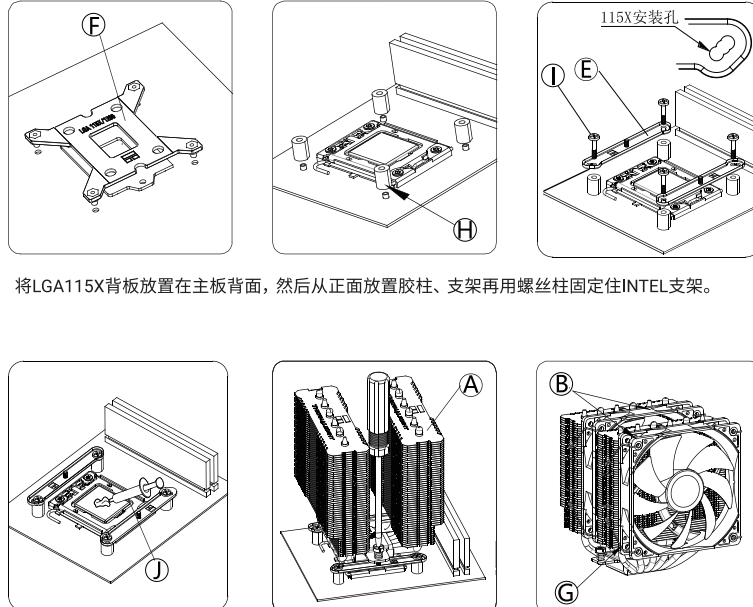
AMD AM4



移除AMD原装塑胶支架, 保留背板; 使用AM4胶柱锁紧到主板原配底板

涂好导热膏, 然后用螺丝刀锁好主体, 再用风扇线扣固定风扇

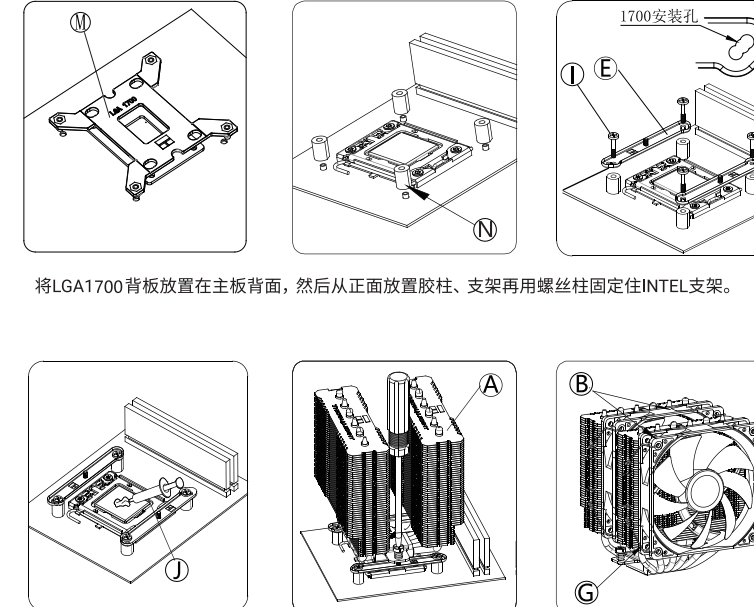
INTEL 115X/1200



将LGA115X背板放置在主板背面, 然后从正面放置胶柱、支架再用螺丝柱固定住INTEL支架。

涂好导热膏, 然后用螺丝刀锁好主体, 再用风扇线扣固定风扇

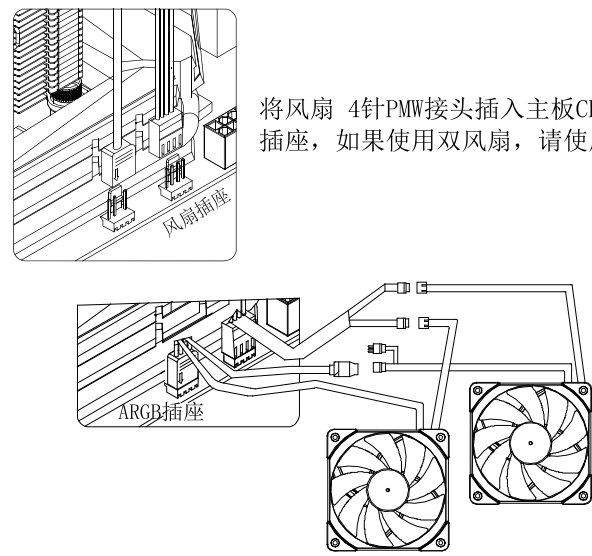
INTEL 1700



将LGA1700背板放置在主板背面, 然后从正面放置胶柱、支架再用螺丝柱固定住INTEL支架。


涂好导热膏, 然后用螺丝刀锁好主体, 再用风扇线扣固定风扇

风扇接线



将风扇 4针PWM接头插入主板CPU FAN 插座, 如果使用双风扇, 请使用Y型转接线。

如果风扇有ARGB灯效, 请将ARGB 3针 (5V) 插入主板对应 ARGB灯效插座或者控制器, 多风扇之间可串联同步。



INSTALLATION GUIDE

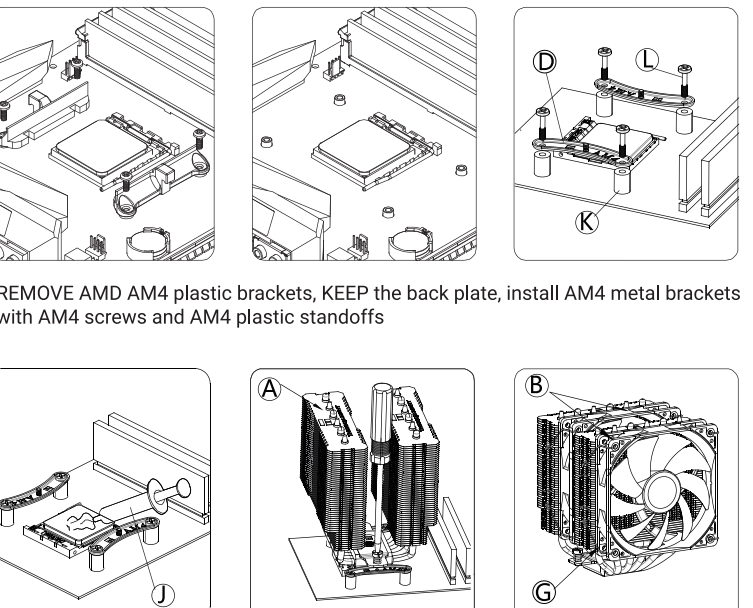
Peerless Assassin 120 SE
Series Cooler

www.thermalright.com

Parts List

A Heatsink *1	B Fan *2	C Fan Y-Cable*1	D AMD Bracket *2
E INTEL Bracket *2	F INTEL 115X/1200 Back Plate *1	G FAN Clip *4	H 115X/1200 Standoff *4
I INTEL Screw *4	J Thermal Grease *1	K AM4 Standoff *4	L AM4 Screw *4
M LGA17XX Back Plate x1	N 17XX Standoff x4		

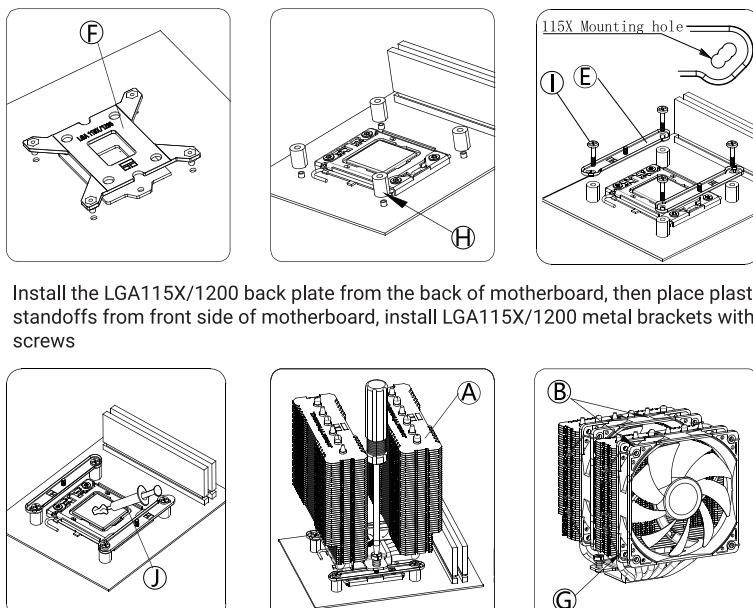
AMD AM4



REMOVE AMD AM4 plastic brackets, KEEP the back plate, install AM4 metal brackets with AM4 screws and AM4 plastic standoffs

Apply thermal grease on CPU, install the heatsink with a screw driver, and install fans on heatsink with fan clips

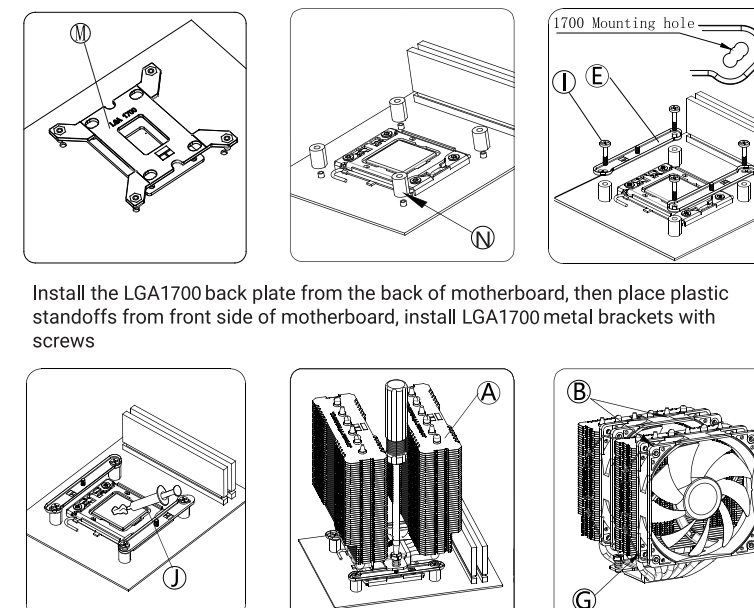
INTEL 115X/1200



Install the LGA115X/1200 back plate from the back of motherboard, then place plastic standoffs from front side of motherboard, install LGA115X/1200 metal brackets with screws

Apply thermal grease on CPU, install the heatsink with a screw driver, and install fans on heatsink with fan clips

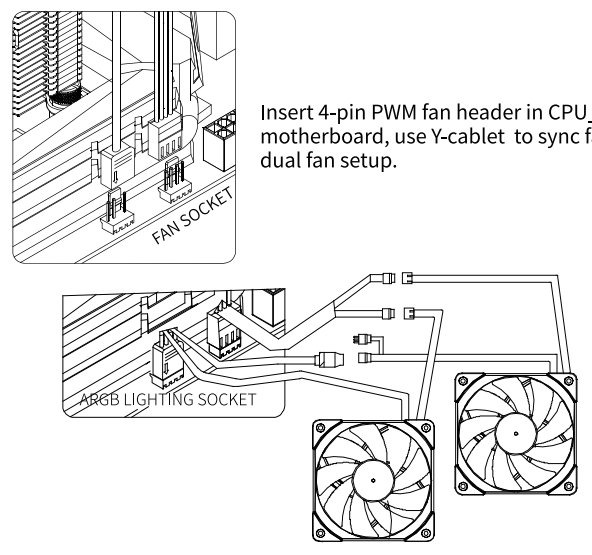
INTEL 1700



Install the LGA1700 back plate from the back of motherboard, then place plastic standoffs from front side of motherboard, install LGA1700 metal brackets with screws

Apply thermal grease on CPU, install the heatsink with a screw driver, and install fans on heatsink with fan clips

Fan Wiring



Insert 4-pin PWM fan header in CPU_FAN socket on motherboard, use Y-cable to sync fan speed for dual fan setup.

For Fans with ARGB lighting, To control the ARGB lighting, connect ARGB lighting header (3-pin +5V) to motherboard ARGB lighting socket or ARGB lighting controller, lighting effects can be sync by connecting fan lighting headers with each other