



安装说明

TR-Peerless Assassin 120
系列

www.thermalright.com

配件清单

AMD AM4



移除AMD原装塑胶支架, 保留背板; 使用AM4胶柱锁紧到主板原配底板



涂好导热膏, 然后用螺丝刀锁好主体, 再用风扇线扣固定风扇

INTEL LGA115X/1200



将螺丝对应LGA115X孔位穿过背板上塑胶垫放置在主板背面, 然后从正面放置胶柱, 支架再用螺帽固定住INTEL支架。



涂好导热膏, 然后用螺丝刀锁好主体, 再用风扇线扣固定风扇

INTEL LGA20XX



将LGA20XX螺柱拧到主板, 然后放置支架, 再用螺帽固定住INTEL支架。



涂好导热膏, 然后用螺丝刀锁好主体, 再用风扇线扣固定风扇

INTEL LGA1700



将螺丝对应LGA1700孔位穿过背板上塑胶垫放置在主板背面, 然后从正面放置胶柱, 支架再用螺帽固定住INTEL支架。



涂好导热膏, 然后用螺丝刀锁好主体, 再用风扇线扣固定风扇


风扇接线



将风扇 4针PWM接头插入主板CPU FAN插座, 如果使用双风扇, 请使用Y型转接线。



如果风扇有ARGB灯效, 请将ARGB 3针(5V)插入主板对应ARGB灯效插座或者控制器, 多风扇之间可串联同步。



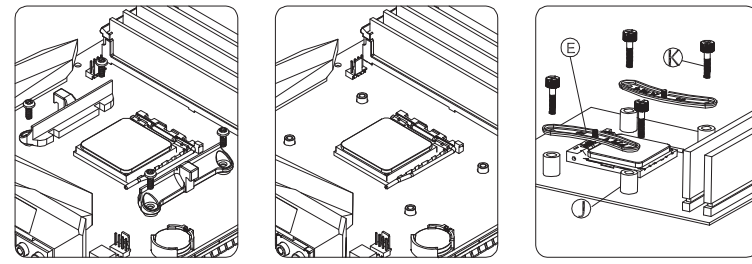
INSTALLATION GUIDE

TR-Peerless Assassin 120
Series

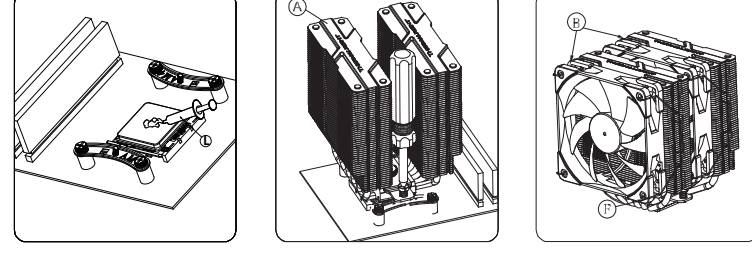
www.thermalright.com

parts list

AMD AM4

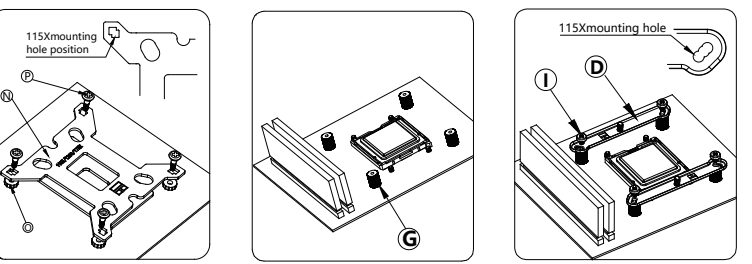


Remove the AMD original plastic support, keep the back plate, and lock it to the original motherboard base plate with AM4 rubber column

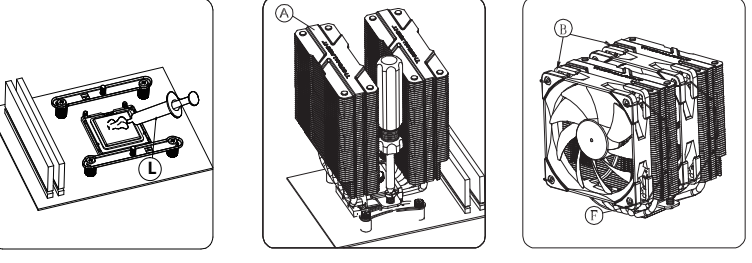


Apply the hot paste, lock the main body with a screwdriver, and fix the fan with a fan wire

INTEL LGA115X/1200

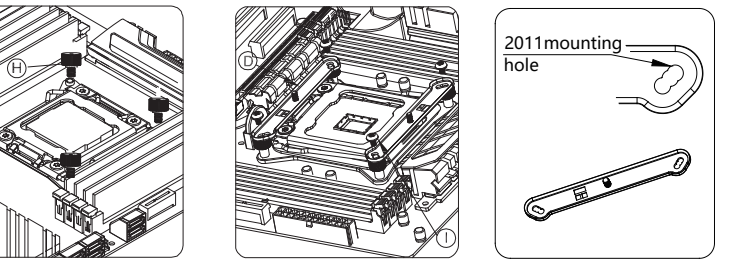


Install the INTEL back plate from the back of motherboard, then place plastic standoffs from front side of motherboard, install INTEL metal brackets with screws

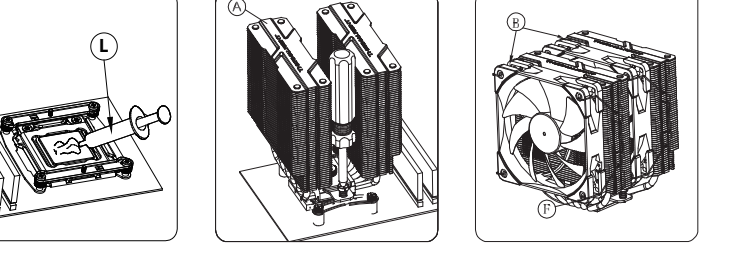


Apply the hot paste, lock the main body with a screwdriver, and fix the fan with a fan wire

INTEL LGA20XX

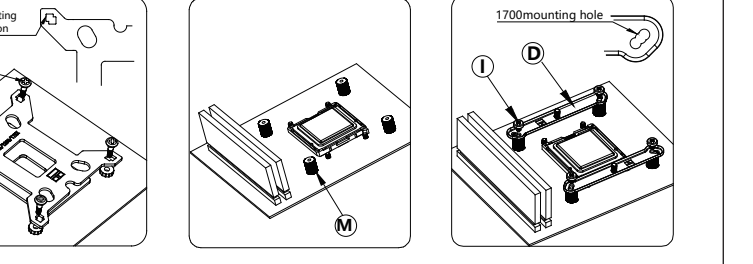


Thread in the LGA20XX screws; put on the brackets and then tightening with nuts.

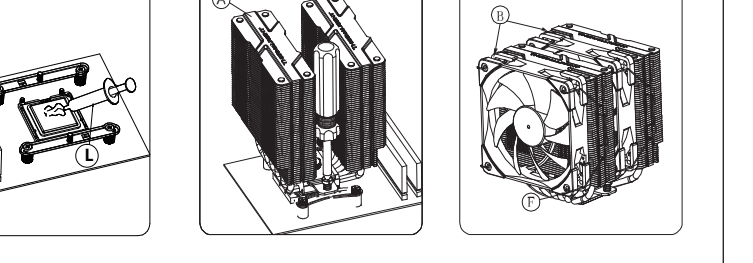


Apply the hot paste, lock the main body with a screwdriver, and fix the fan with a fan wire

INTEL LGA1700

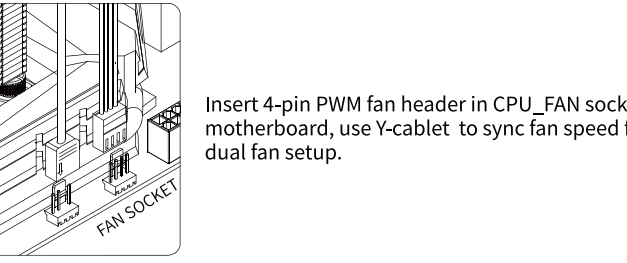


Install the INTEL back plate from the back of motherboard, then place plastic standoffs from front side of motherboard, install INTEL metal brackets with screws

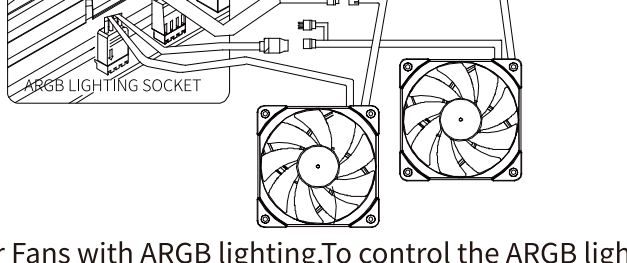


Apply the hot paste, lock the main body with a screwdriver, and fix the fan with a fan wire

Fan Wiring



Insert 4-pin PWM fan header in CPU_FAN socket on motherboard, use Y-cable to sync fan speed for dual fan setup.



For Fans with ARGB lighting, To control the ARGB lighting, connect ARGB lighting header (3-pin +5V) to motherboard ARGB lighting socket or ARGB lighting controller, lighting effects can be sync by connecting fan lighting headers with each other