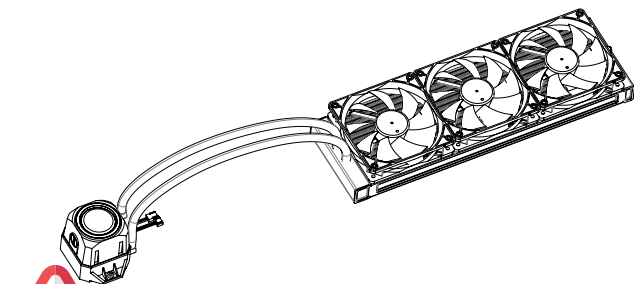



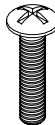
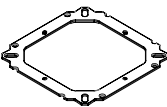

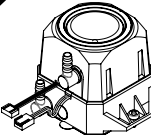

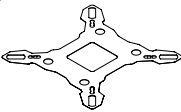
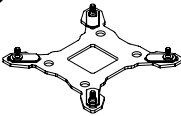
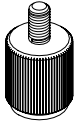


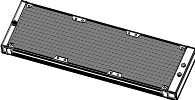
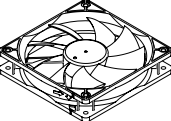

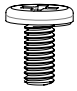

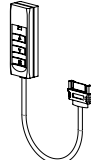
THERMALRIGHT®

Turbo Right 360 Liquid CPU Cooler Installation Guide

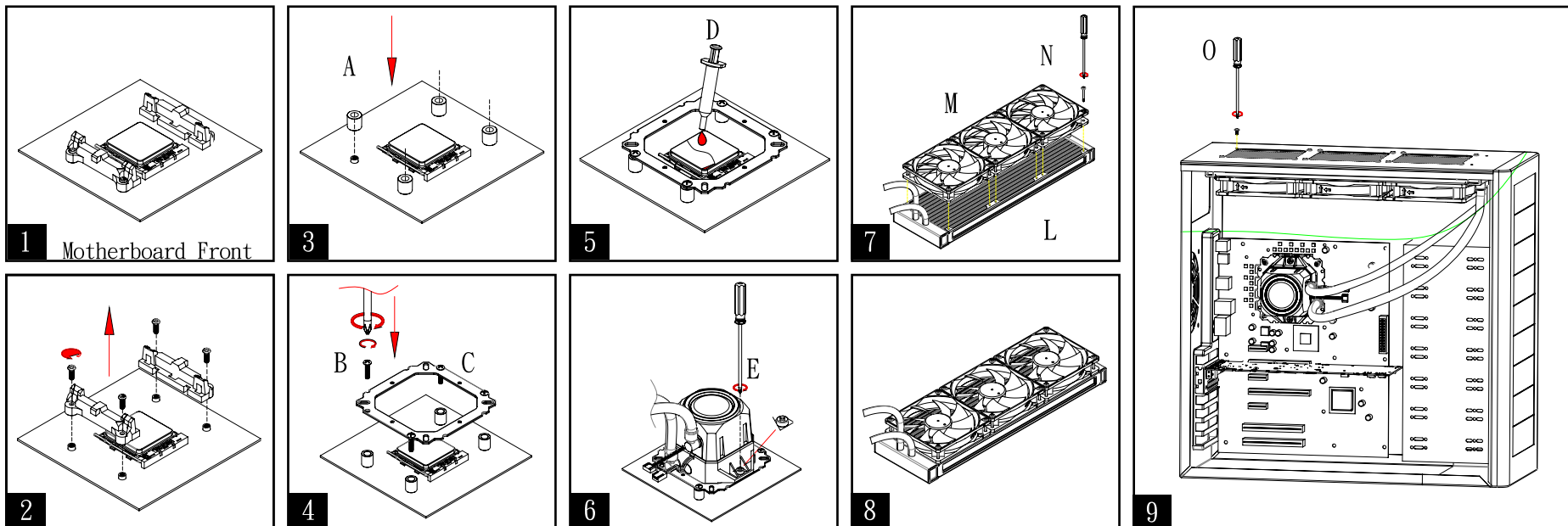


Please follow the Installation Guide before installing this product.
 Please do NOT modify or disassemble this product.
 Please keep this product AWAY from children.
 Please do NOT use this product for the non-PC environment.
 Please do NOT apply too much thermal paste will lower heat conductivity and cooling performance!
 To prevent electrical shocks, please turn off system power and unplug the power of the system before beginning the installation.

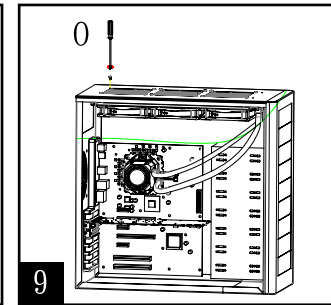
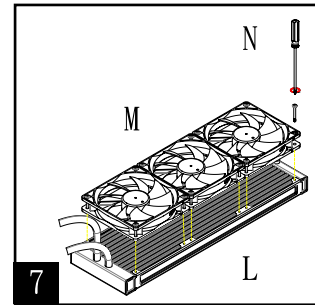
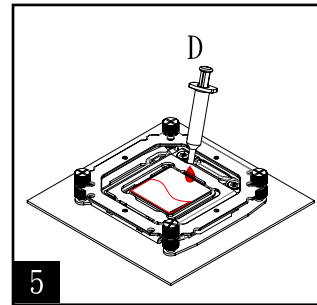
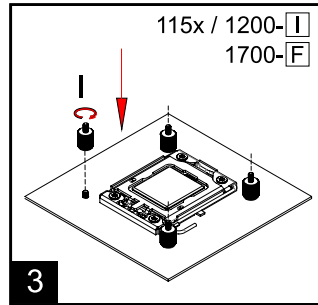
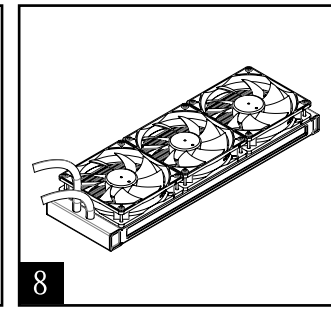
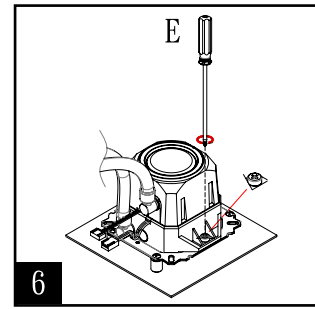
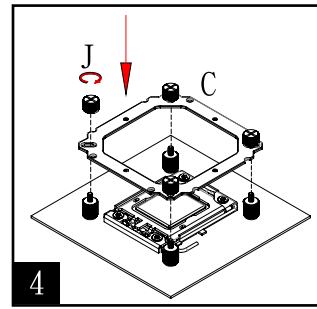
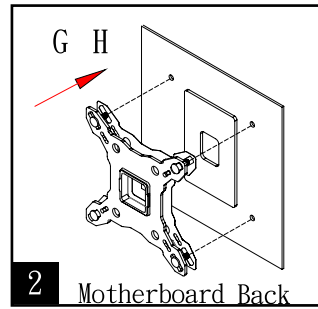
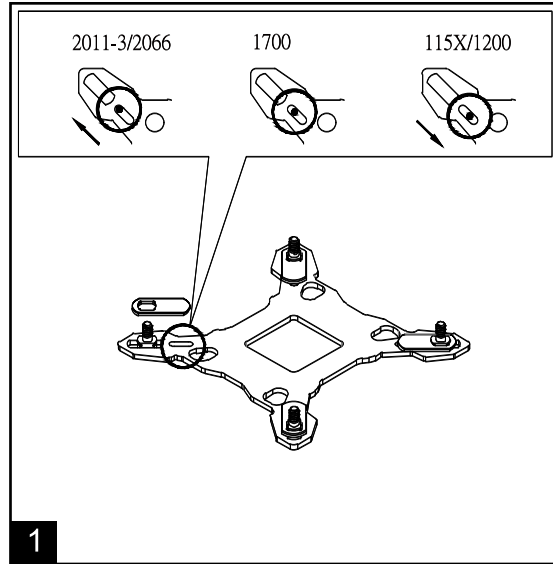
PARTS LIST

A  Nylon Tube x5	B  6#32 L17 Screw x5	C  Anchoring Mount x1	D  TF4 x1	E  Turbo Right Pump x1	F  LGA1700 Screw Pillars x4
G  Mylar x1	H  Metal Back Plate x1	I  LGA 115x Screw Pillars x4	J  Screw Nut x4	K  LGA2011 Double Head Screw x4	L  360mm Radiator x1
M  TY-121 BP Fan x3	N  #6x32Tx30 Screw x12	O  6#32 Screw x12	P  TR Coolant x1	Q  RGB Control Box x1	

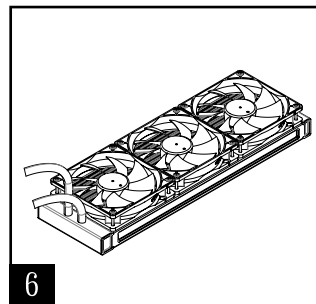
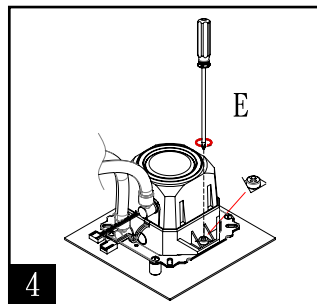
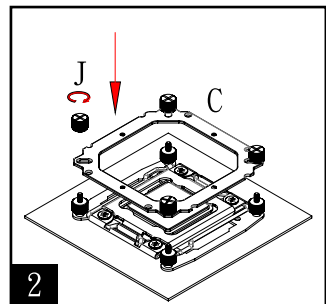
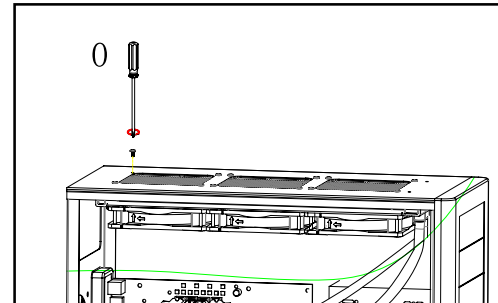
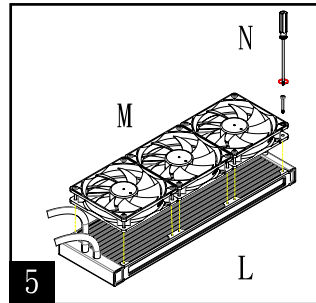
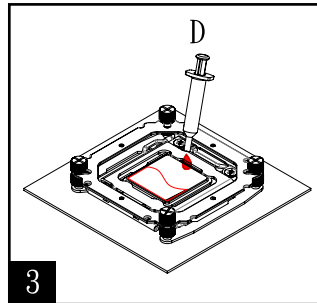
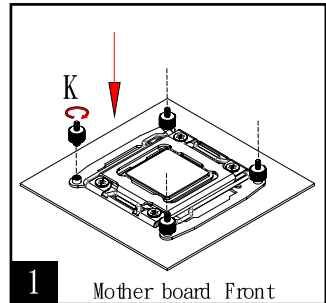
AMD AM4/AM5 Platform



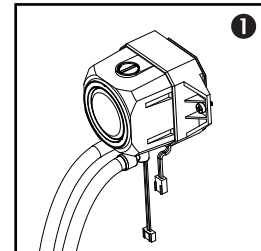
Intel LGA 115x/1200/1700 Platform



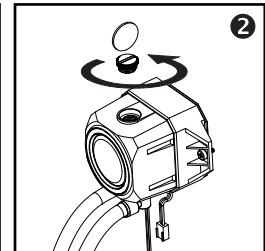
Intel LGA 2011/2011-3/2066 Plat form



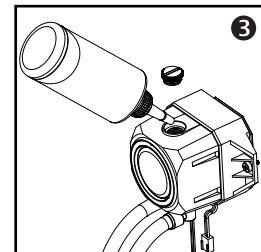
4 Steps to refill the TR coolant



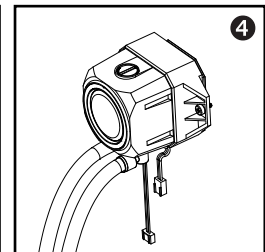
Take off the water block, keep the refill cap upward.



Tear off the warranty sticker and loosen the refill cap carefully with a coin or screwdriver.



Refill the coolant with enclosed TR coolant kit. Be careful to keep from the coolant spilling out.



Tighten the refill cap, Plug the pump header and turn the power to make sure the pump operates normally. Install your water block back.