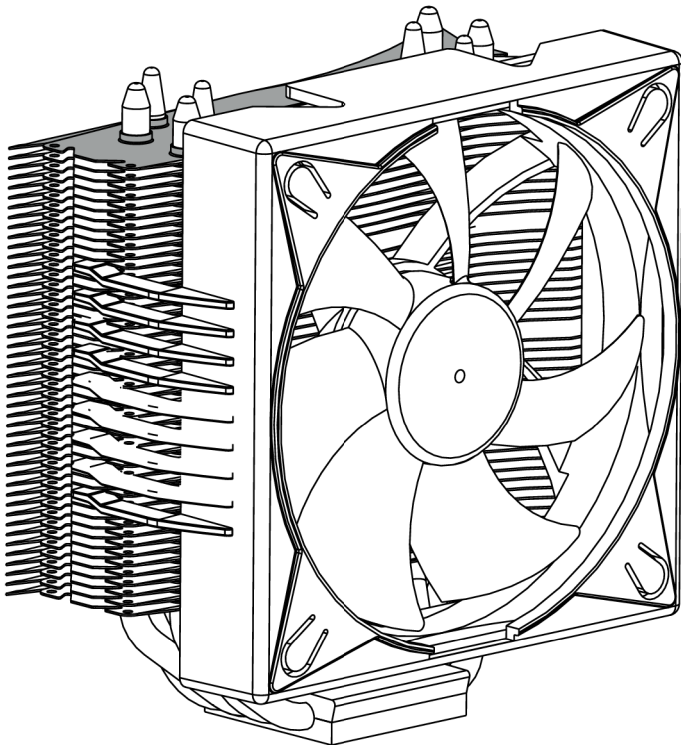


Thermalright

TRUE Spirit 120M BW Rev.A



TRUE Spirit 120M BW Rev.A

Assembly Package



x 4



x 4

4



x 7



x 4

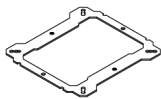


x 5

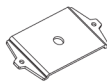


x 4

4



x 1



x 1

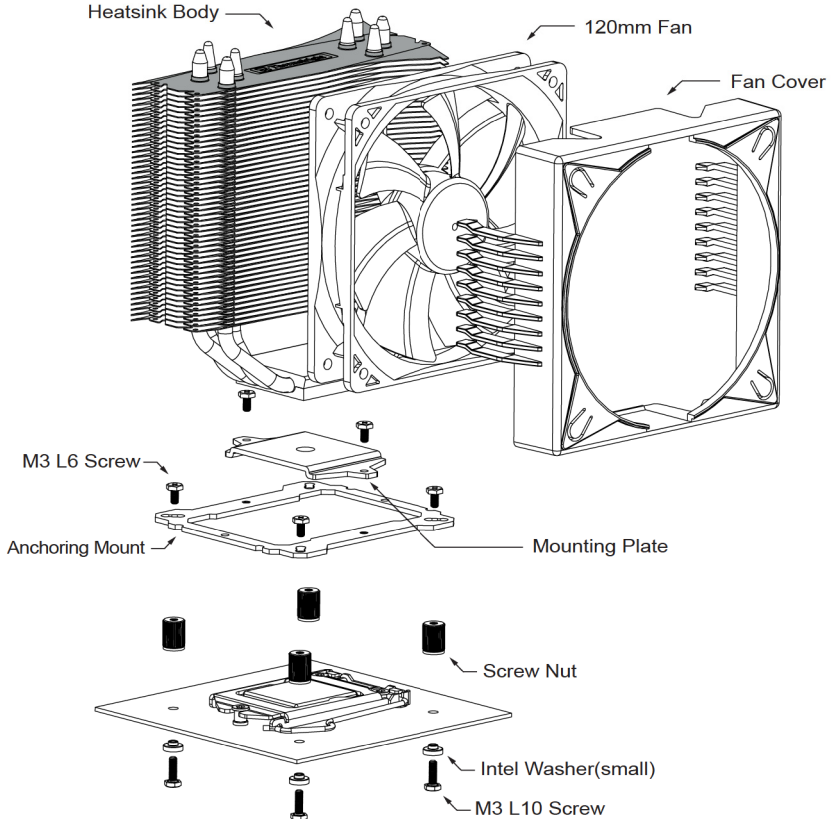


x 1

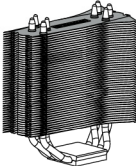
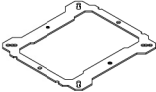
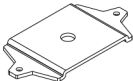







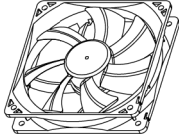
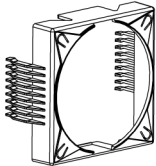
8

Exploded View

Important! Before proceeding with installation, please check for the most up-to-date instructions at www.thermalright.com

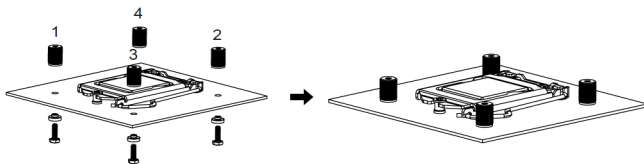


Component

| | | |
|---|---|---|
|  |  |  |
|  |  |  |
|  |  |  |
|  |  |  |
| 1 Heatsink Body ×1 | 2 Anchoring Mount ×1 | 3 Mounting Plate ×1 |
| 4 Screw Nut ×4 | 5 LGA2011 Type B Screw Pillars ×4 | 6 M3 L10 Screw ×5 |
| 7 M3 L6 Screw ×7 | 8 Intel Washer (small) ×4 | 9 AMD Washer (big) ×4 |
| 10 Thermal Paste ×1 | 11 120mm Fan ×1 | 12 Fan Cover ×1 |

Installation Instructions:

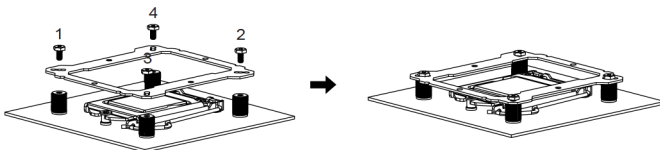
Step 1:



Step 1 : Install the four screw pillars.

Take one M3L10 screw and put one washer for Intel around the screw pillar. Snap it through one of the holes around CPU socket from bottom towards top. Cap the screw pillar with the screw nut included and then tighten up. Now repeat this installation for the other three screw pillars in a criss-cross pattern.

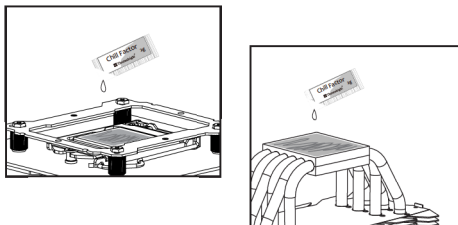
Step 2:



Step 2 : Place the Anchoing Mount on the Screw Nuts.

Use the four M3L6 Screws to fix the Anchoing Mount on to the Screw Nuts.

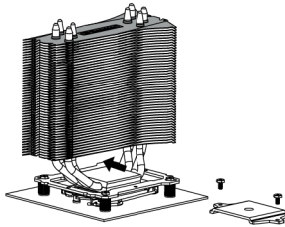
Step 3:



Step 3 : Applying Thermal Paste.

Apply the Thermal Paste to the base of the Heatsink and the surface of the CPU evenly.

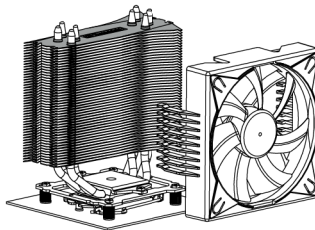
Step 4:



Step 4 : Mounting Plate

Installation Place the Heatsink Body on top of the CPU. Make the Mounting Plate go through the Heatsink Body. And then use the two M3L6 screws to secure the Mounting Plate.

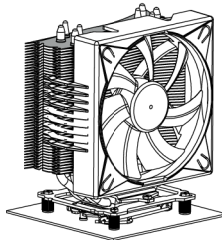
Step 5:



Step 5 : Fan Installation

Place the included 120mm Fan into the Fan Cover. Then clip the Fan Cover to the heatsink body.

Step 6:

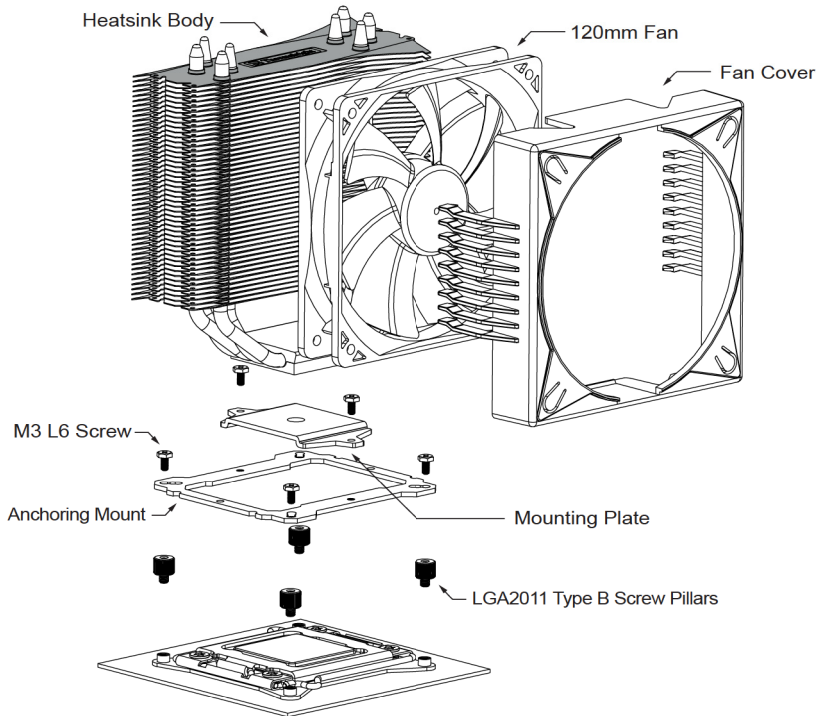


Step 6 : Installation Completed

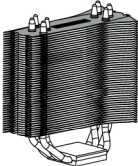
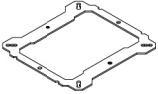
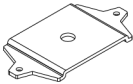







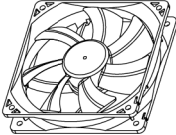
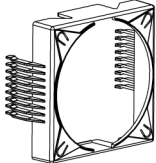
Plug in the fan connector to the CPU PWM Fan socket on the motherboard. Installation complete.

Exploded View

Important! Before proceeding with installation, please check for the most up-to-date instructions at www.thermalright.com

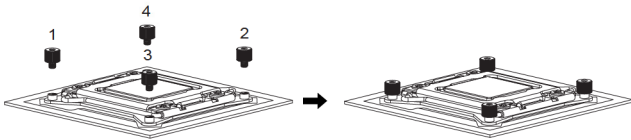


Component

| | | |
|---|---|---|
|  |  |  |
|  |  |   |
|   |  |   |
| <p>1 Heatsink Body ×1</p> | <p>2 Anchoring Mount ×1</p> | <p>3 Mounting Plate ×1</p> |
| <p>4 Screw Nut ×4</p> | <p>5 LGA2011 Type B Screw Pillars ×4</p> | <p>6 M3 L10 Screw ×5</p> |
| <p>7 M3 L6 Screw ×7</p> | <p>8 Intel Washer (small) ×4</p> | <p>9 AMD Washer (big) ×4</p> |
| <p>10 Thermal Paste ×1</p> | <p>11 120mm Fan ×1</p> | <p>12 Fan Cover ×1</p> |

Installation Instructions:

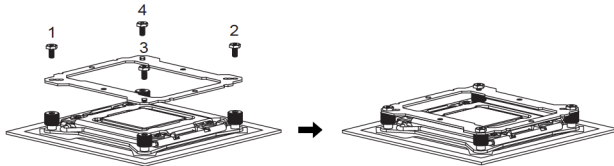
Step 1:



Step 1 : Screw Pillar Installation

Screw on the four LGA2011 Type B Screw Pillars into the Heatsink studs on the ILM Assembly Frame around the processor socket.

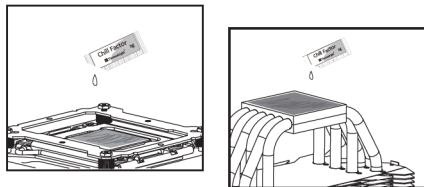
Step 2:



Step 2 : Anchoring Mount Installation

Place the Anchoring Mount onto the four LGA2011 Type B Screw Pillars, secure it by tightening it with 4 M3L6 Screws.

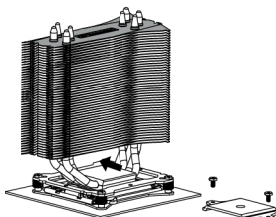
Step 3:



Step 3 : Applying Thermal Paste

Apply the Thermal Paste to the base of the Heatsink and the surface of the CPU evenly.

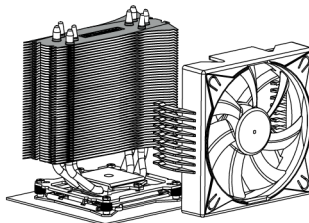
Step 4:



Step 4 : Mounting Plate

Installation Place the Heatsink Body on top of the CPU. Make the Mounting Plate go through the Heatsink Body. And then use the two M3L6 screws to secure the Mounting Plate.

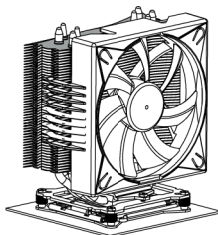
Step 5:



Step 5 : Fan Installation

Place the included 120mm Fan into the Fan Cover. Then clip the Fan Cover to the heatsink body.

Step 6:

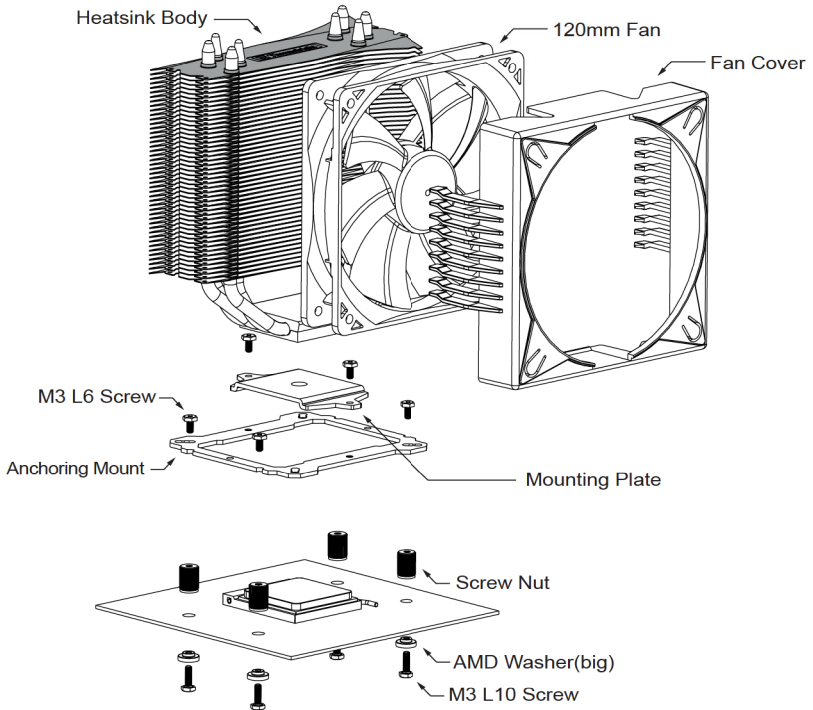


Step 6 : Installation Completed

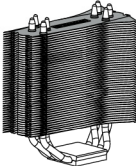
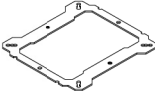








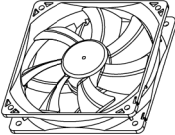
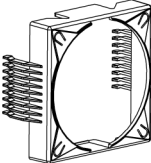
Plug in the fan connector to the CPU PWM Fan socket on the motherboard. Installation complete.

Exploded View

Important! Before proceeding with installation, please check for the most up-to-date instructions at www.thermalright.com

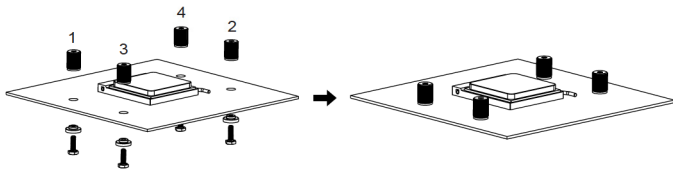


Component

| | | |
|---|---|---|
|  |  |  |
|  |  |  |
|  |  |  |
|  |  |  |
| 1 Heatsink Body ×1 | 2 Anchoring Mount ×1 | 3 Mounting Plate ×1 |
| 4 Screw Nut ×4 | 5 LGA2011 Type B Screw Pillars ×4 | 6 M3 L10 Screw ×5 |
| 7 M3 L6 Screw ×7 | 8 Intel Washer (small) ×4 | 9 AMD Washer (big) ×4 |
| 10 Thermal Paste ×1 | 11 120mm Fan ×1 | 12 Fan Cover ×1 |

Installation Instructions:

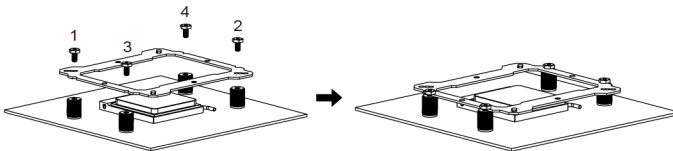
Step 1:



Step 1 : Install the four screw pillars.

Take one M3L10 screw and put one washer for AMD around the screw pillar. Snap it through one of the holes around CPU socket from bottom towards top. Cap the screw pillar with the screw nut included and then tighten up. Now repeat this installation for the other three screw pillars in a criss-cross pattern.

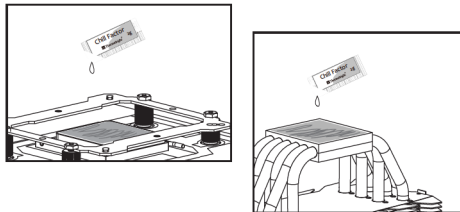
Step 2:



Step 2 : Place the Anchoring Mount on the Screw Nuts.

Use the four M3L6 Screws to fix the Anchoring Mount on to the Screw Nuts.

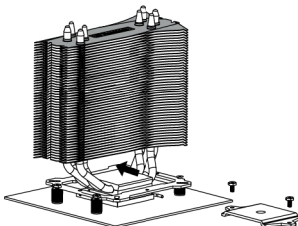
Step 3:



Step 3 : Applying Thermal Paste.

Apply the Thermal Paste to the base of the Heatsink and the surface of the CPU evenly.

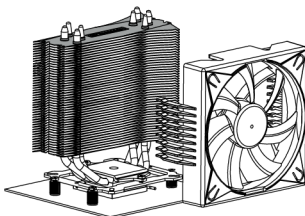
Step 7:



Step 7 : Mounting Plate

Installation Place the Heatsink Body on top of the CPU. Make the Mounting Plate go through the Heatsink Body. And then use the two M3L6 screws to secure the Mounting Plate.

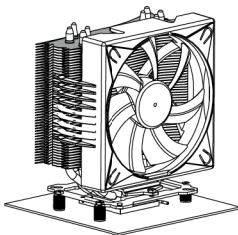
Step 8:



Step 8 : Fan Installation

Place the included 120mm Fan into the Fan Cover. Then clip the Fan Cover to the heatsink body.

Step 9:



Step 9 : Installation Completed

Plug in the fan connector to the CPU PWM Fan socket on the motherboard. Installation complete.

Technical Spec

Heatsink Specifications:

Dimension: Length 132mm x Width 57mm x Height 145mm

Weight: 480g (Heatsink only)

Heatpipe: 6mm heatpipe*4 units

Copper Base: C1100 Pure copper nickel plated

Fan Specification:

Dimension: L120mm x H120mm x W25mm

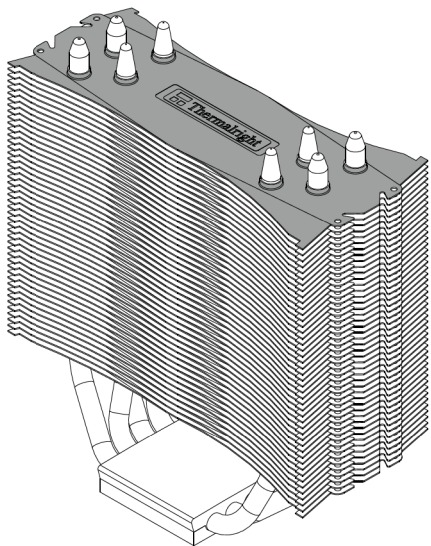
Weight: 100g

Fan speed: 600~1300RPM (PWM controlled)

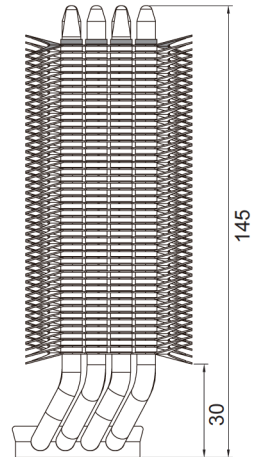
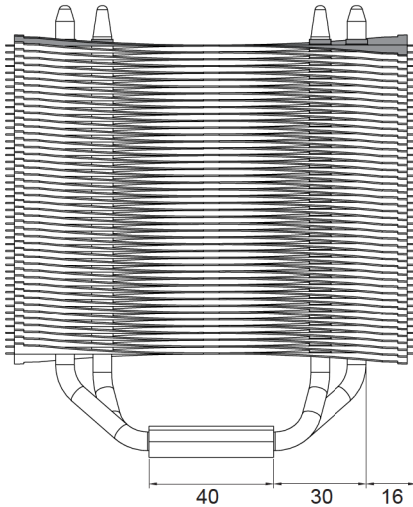
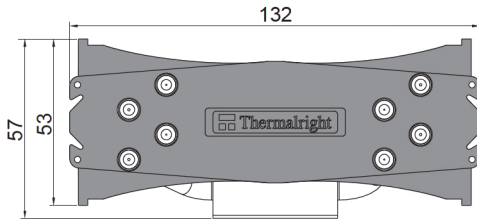
Fan noise: 25.4dBA MAX (Test distance 1.0M)

Airflow: 46.19CFM MAX

Connector: 4 Pin (PWM Fan connector)



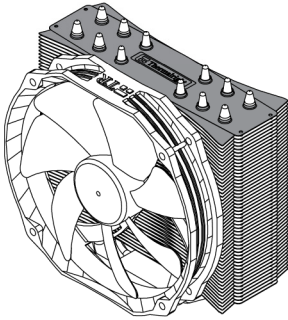
TRUE Spirit 120M BW Rev.A



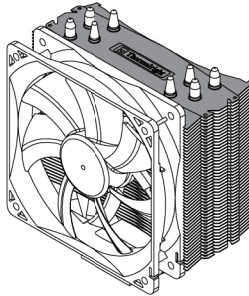
TRUE Spirit 120M BW Rev.A

Thermalright TRUE Spirit Series

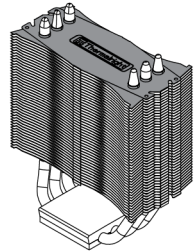
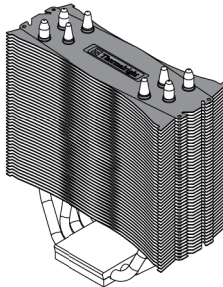
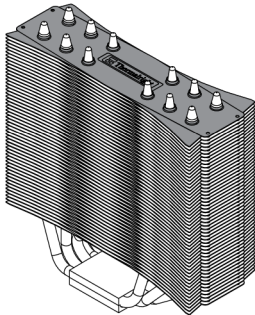
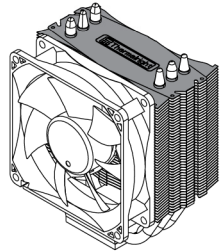
TRUE Spirit 140 Rev.A



TRUE Spirit 120 Rev.A



TRUE Spirit 90 Rev.A



The Ultimate Cooling Solutions!



Thermalright
www.thermalright.com

TEL: +886-2-8663-6630

FAX: +886-2-8663-6645

EMAIL: sales@thermalright.com



Thermalright